



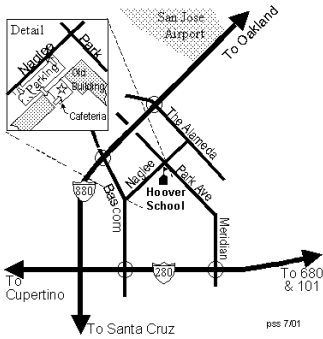
# Fiddler's Rag



Vol. 54, Number 05  
Celebrating 53 years

Santa Clara Valley Fiddlers Association  
[www.fiddlers.org](http://www.fiddlers.org)

May 2026  
Next Jam May 3<sup>rd</sup>



## President's Note

By Ray Chen

Hello, SCVFA.

April jam attendance was a bit lighter than normal, but everyone seemed to have a really good time. The Basic Bluegrass Jam, Swing Jam and Bluegrass

Jams were well-attended. I was looking after the front desk, so the Old-Time jammers kindly set up there and played there for a while before moving to the usual spot with better acoustics and shade later in the afternoon.

Many thanks to Jennifer Kitchen and Matt Smalls for leading the Basic Bluegrass and Swing Jams respectively! Also, thank you Banjer Dan for stepping in for Robert Cornelius!

The Basic Bluegrass Jam and Swing Jam will continue this week, in addition to the regular Bluegrass and Old-Time Jams.

I was hoping to lead a Singing with Fiddle Tunes workshop, but I think we're going to have to postpone it a month. I've been fighting off a sinus infection, and the asthma flareup that came with it has made singing impossible.

In somber news, long-time SCVFA member, George Bradshaw, just passed away from cancer. George was involved with SCVFA long before Susan, myself, or anyone on the current Board. He loved music, was always at the monthly jams, was always up for playing guitar in a jam, and frequently joined the playouts.

At his family's request, his musical friends (most of whom are SCVFA members) went to play tunes for him while he was in the hospital and when he went home in hospice care. Even when we could barely hear him speak, he was still wanting to play guitar, requesting tunes (Little Billy Wilson) and telling us if we played something wrong. One of his sons, John Henry, is a fine musician in his own right and was playing music for him as he passed away.

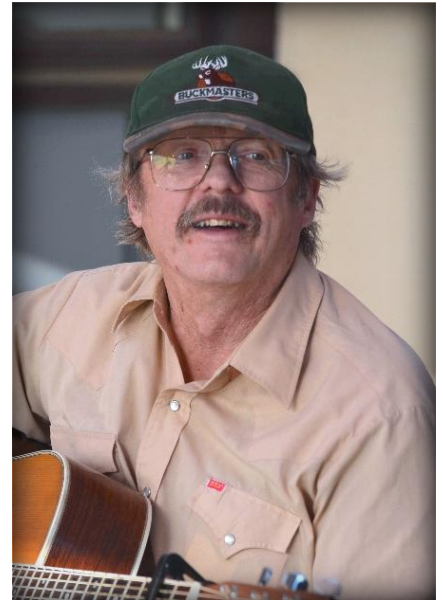
George is survived by three siblings, his wife, Karen, seven sons (John Henry is the middle son), and fourteen grandchildren.

George's family will gather at noon on May 25<sup>th</sup> (Memorial Day Monday) at [Mormon Church on Middlefield Road](#) in Palo Alto to celebrate his life.

The family would love for musicians to jam while people are eating and gathering after the service.

George was a fine friend, a good musician, and a wonderful person.

We will miss him sorely, and our deepest condolences go out to his family.



George Bradshaw circa 2015  
(from Ed Cirimele)

### Future Playouts / Performances

We have numerous opportunities throughout the year. For more info visit: <https://www.fiddlers.org/open-band>

- May 8<sup>th</sup>** – Mountain Market, Summit Rd, 2:30–6:30 pm
- May 9<sup>th</sup>** – Our City Forest Spring Fest, 9 – 2 pm
- June 6<sup>th</sup>** – Mosaic Festival, History Park, San Jose
- June 13<sup>th</sup>** – Morgan Hill Farmers Market, 9 – 1 pm
- June 21<sup>th</sup>** – San Jose Make Music Day, times TBD

In This Issue:	Page
President's Note .....	1
SCVFA Happenings.....	3
George Bradshaw – A Pictorial Remembrance .....	4
Jam Photos by Ray Chen .....	3,5,6

The Fiddler's Rag is published monthly by the Santa Clara Valley Fiddlers Association and is provided to members of the Association. The Santa Clara Valley Fiddlers Association (SCVFA), founded in 1973 in San Jose, California, is a nonprofit, volunteer-operated organization dedicated to the preservation, teaching, and enjoyment of traditional music. Membership includes electronic delivery of the Fiddler's Rag.

To join, sign up at the jam or see [www.fiddlers.org/join-the-scvfa](http://www.fiddlers.org/join-the-scvfa)

### Officers and Chairs

President-Trustee .....	Ray Chen	News Editor / Publisher .....	Ray Chen
Vice President .....	Jennifer Kitchen	Performances .....	Susan Goodis
Secretary .....	Jessica Ollmann	Publicity .....	Susan Goodis
Treasurer .....	Bennett Amodio	Webmaster .....	Blane Eisenberg
Membership Secretary .....	Cliff Riggs		

### Trustees

Seat 1: Jennifer Kitchen	Seat 3: Susan Goodis	Seat 5: Open
Seat 2: Michelle Tan	Seat 4: Open	Seat 6: Cliff Riggs

**Newsletter Reviewers:** Pete Showman, Dinah Showman, Vicki Parrish, Susan Goodis, Jennifer Kitchen

### To Contact the SCVFA:

Mail: SCVFA, P.O. Box 390235, Mountain View, CA 94039-0235

Email to Ray Chen: [president \[at\] fiddlers.org](mailto:president@fiddlers.org)

Jennifer Kitchen: [vp \[at\] fiddlers.org](mailto:vp@fiddlers.org)

Susan Goodis: [performances \[at\] fiddlers.org](mailto:performances@fiddlers.org)

**Newsletter Submissions & Comments:** [newsletter \[at\] fiddlers.org](mailto:newsletter@fiddlers.org)

**Address changes:** [membership \[at\] fiddlers.org](mailto:membership@fiddlers.org)

Website: [www.fiddlers.org](http://www.fiddlers.org)

Copyright 2026, Santa Clara Valley Fiddlers Association

The Santa Clara Valley Fiddlers Association is a non-profit member-supported organization.

**Donations** to SCVFA are greatly appreciated and will assist in keeping traditional music alive by passing it on to the next generation.

**Many local corporations offer matched donations for non-profits.** Check with your employer... they may offer this benefit.

You can easily add SCVFA as a 501(c)(3) organization; our EIN is 51-0196154

Donate as you are able and traditional music will reap the benefits.

-----

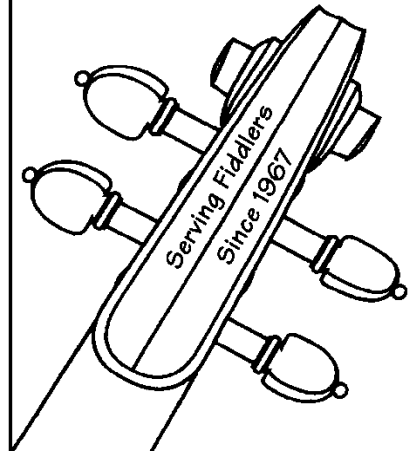
SCVFA was founded in 1973 to support fiddling but supports and welcomes musicians other than fiddlers. The image to the right side of the Fiddler's Rag name on the first page includes a mandolin, a banjo, a guitar and a fiddle, to illustrate the diversity of instruments played at our jams and events.



# KAMIMOTO

## STRING INSTRUMENTS

“Fiddles  
for  
Every Style...”



- New & Old Instruments
- Repairs & Restorations
- One-hour bow rehairing (by appt.)
- Rentals: Violin, Viola, Cello, Bass

Hours: Mon-Sat 10:00 - 5:30

**[408] 298-8168**

[www.kamimotostrings.com](http://www.kamimotostrings.com)

609 North Fourth Street  
San Jose, CA 95112

**[800] 892-3199**

**Fax: [408] 298-8198**

# SCVFA Happenings

## SCVFA Mission Statement

*Santa Clara Valley Fiddlers Association (SCVFA) preserves traditional music genres that feature fiddle and other acoustic instruments. SCVFA takes pride in “passing it on” to musicians and listeners of all ages and abilities.*

## Diversity Statement

*SCVFA believes that our mission is fundamentally improved by diversity and inclusion. SCVFA is at all times committed to providing an open, safe, and welcoming environment for all our members and guests. We celebrate the varied abilities, ethnicities, sexualities, ages, gender identities, religions and cultural backgrounds of our community, and do not tolerate discrimination based upon these differences.*

**First Sunday Jam: May 3<sup>rd</sup> 1:15 to 5:00 pm** at Hoover Middle School. Suggested donation: \$5.00 – more or less as you are able. [Click here to donate online.](#)

**Old-Time Jam: 1:15(ish) – 5 pm**

**Slow jam: 1:30-2:30 pm** – Tunes are available [on the SCVFA website.](#)

**Basic Bluegrass Jam: 1:30 – 3 pm** led by Jennifer Kitchen. Songbook and more info are [on the SCVFA website.](#)

**Bluegrass Jam: 1:30 – 5 pm** led by Robert Cornelius.

**Swing Jam – 3 pm**, led by Matt Small

“AFTERS” Join us at [Sam’s BBQ](#)  
[1110 South Bascom Ave. San Jose.](#)

**3<sup>rd</sup> Sunday Jam: May 17<sup>th</sup>, 1-3 pm**  
[Washington Park](#), near the corner of West Washington and South Pastoria avenues.

**[\(Mostly\) Old-Time Jam, Mondays, 7-9 pm.](#)**

[Unitarian Universalist Church of Palo Alto.](#)

Requested donation – \$2 – \$4. Email [banjoclarka \[at\] yahoo.com](mailto:banjoclarka[at]yahoo.com) for more details.

**[Parkfield Bluegrass Festival: May 7-10.](#)**

[Parkfield](#), CA. Hayde Bluegrass Orchestra, Foghorn Stringband, Vickie Vaughn Band & more.

**George Bradshaw’s Celebration of Life, Noon, May 25<sup>th</sup>.** [The Church of Jesus Christ of Latter-day Saints](#), 3865 Middlefield Road, Palo Alto. (See page 1 for more details.)

**[CBA Music Camp \(Grass Valley\): June 9 – 12.](#)**

[Nevada County Fairgrounds](#), Grass Valley. Greg Blake, Tatiana Hargreaves, John Reischman, Bill Evans, Nokosee Fields, and plenty more!

**[CBA Father’s Day Festival \(Grass Valley\):](#)**

**June 13-16.** [Nevada County Fairgrounds](#), Grass Valley. The Bluegrass Cardinals, Sam Grisman Project, Darol Anger and Bruce Molsky, Hard Drive, Bronwyn Keith-Hynes, Missy Raines & Allegheny, Bay Area Special and many more!



April First Sunday Slow Jam (by Ray Chen)

# George Bradshaw – In Memoriam

(Photos from Ray Chen, Ed Cirimele, Mark Wardenburg and Susan Goodis)



# April Jam Pictures

By Ray Chen



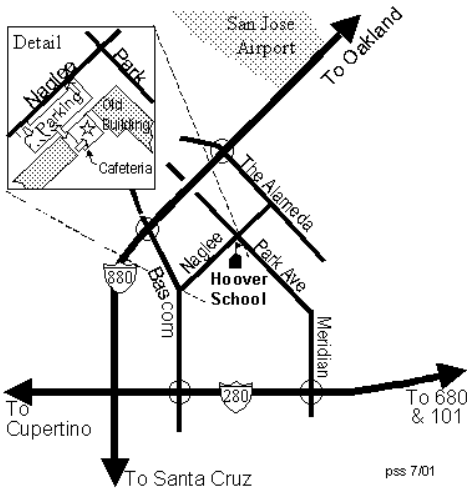


SCVFA  
 P.O. Box 390235  
 Mountain View, CA 94039-0235

**Next Jam:  
 Sunday May 3<sup>rd</sup>  
 1-5 pm at Hoover Middle School**

The SCVFA Jam usually on the first Sunday of each month.  
 Location: Hoover Middle School, 1474 Naglee Ave.,  
 San Jose. The school is at the corner of Naglee and Park.  
 Cafeteria parking is on the Naglee side.

**Damaged or Missing Issue? Call us,  
 or email to: [newsletter \[at\] fiddlers.org](mailto:newsletter@fiddlers.org)**



*Jennifer Kitchen and Nicholas LeCuyer at the April Basic Bluegrass Jam (by Ray Chen)*



*April Basic Bluegrass Jam led by Jennifer Kitchen (r) (by Ray Chen)*